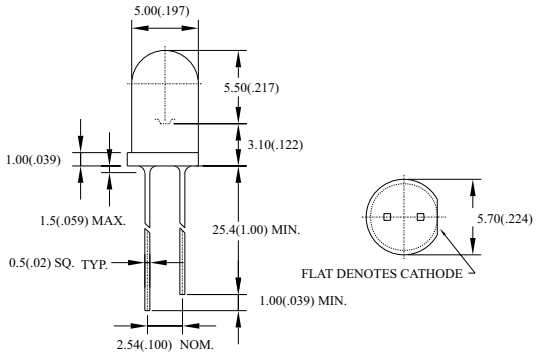
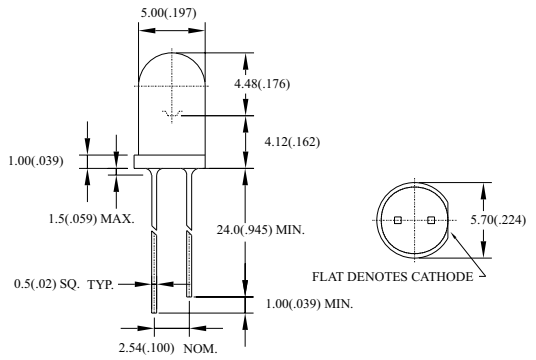
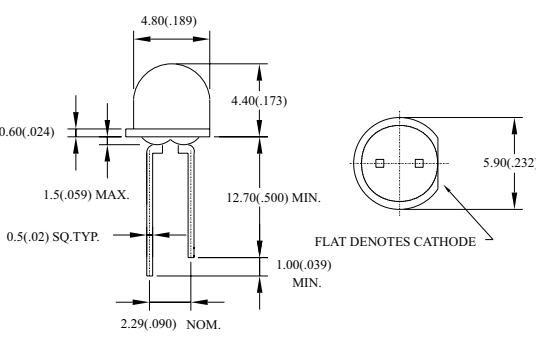
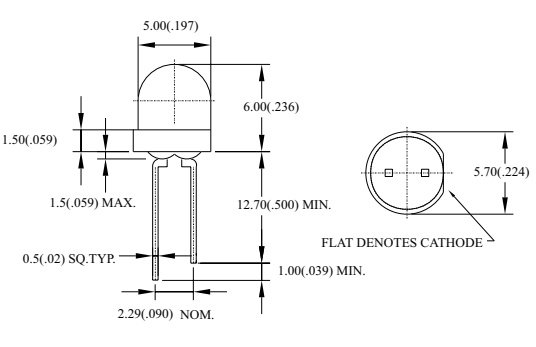
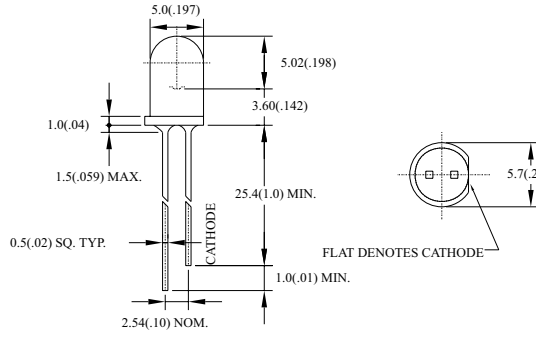
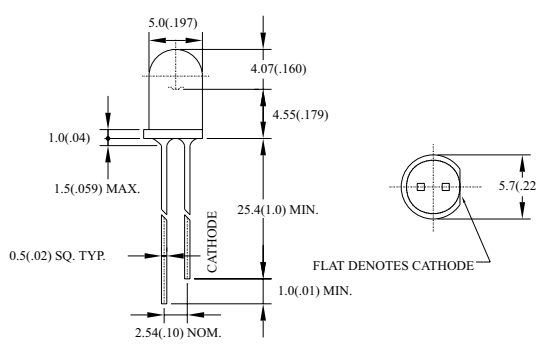
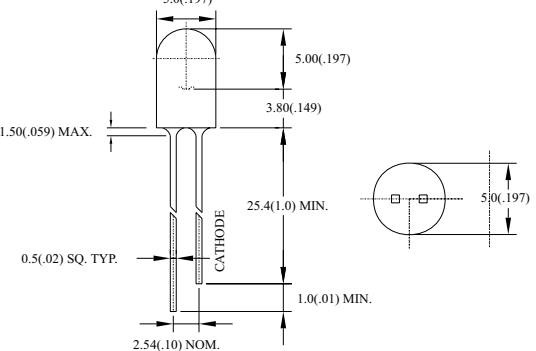
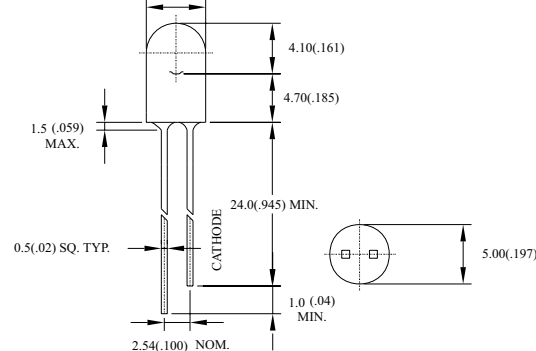




# STANDARD LED LAMPS(ROUND TYPES)

Package	Part No.	Chip		Lens Appearance	Absolute Maximum Ratings				Electro-optical Data(At 20mA)			Viewing Angle 2θ 1/2 (deg)	Drawing No.	
		Material/ Emitted Color	Peak Wave Length λ <sub>p</sub> (nm)		Δλ (nm)	Pd (mw)	If (mA)	Peak (mA)	Vf (V)		Iv (mcd)			
									Typ	Max	Typ.			
T1 3/4 Standard 1.0" Lead 5.0 φ	BL-B1134M	GaAsP/GaAs/ Red	655	Red Diffused	40	80	40	200	1.7	2.0	8.0	25	L-041	
	BL-B5134M	GaP/GaP/ Bright Red	700		90	40	15	50	2.2	2.6	12.0			
	BL-B4534M	GaAsP/GaP/ Hi-Eff Red	635		45	80	30	150	2.0	2.6	80.0			
	BL-B2134M	GaP/GaP/ Green	568	Green Diffused	30	80	30	150	2.2	2.6	80.0			
	BL-B3134M	GaAsP/GaP/ Yellow	585	Yellow Diffused	35	80	30	150	2.1	2.6	70.0			
	BL-B4134M	GaAsP/GaP/ Orange	635	Orange Diffused	45	80	30	150	2.0	2.6	80.0			
	BL-B2434M	GaP/GaP/ Green	568	Green Trans	30	80	30	150	2.2	2.6	200.0			12
T1 3/4 Wide Viewing Angle 1.0" Lead 5.0 φ	BL-B4534M-1	GaAsP/GaP/ Hi-Eff Red	635	Red Diffused	45	80	30	150	2.0	2.6	65.0	30	L-042	
	BL-B2134M-1	GaP/GaP/ Green	568	Green Diffused	30	80	30	150	2.2	2.6	65.0			
	BL-B3134M-1	GaAsP/GaP/ Yellow	585	Yellow Diffused	35	80	30	150	2.1	2.6	60.0			
	BL-B4134M-1	GaAsP/GaP/ Orange	635	Orange Diffused	45	80	30	150	2.0	2.6	65.0			
	BL-B3334M-1	GaAsP/GaP/ Yellow	585	Water Clear	35	80	30	150	2.1	2.6	140.0			
	BL-B2334M-1	GaP/GaP/ Green	568		30	80	30	150	2.2	2.6	150.0			
	BL-B4334M-1	GaAsP/GaP/ Orange	635		45	80	30	150	2.0	2.6	150.0			
0.5" Lead 4.8 φ	BL-B1124B	GaAsP/GaAs/ Red	655	Red Diffused	40	80	40	200	1.7	2.0	1.5	50	L-043	
	BL-B5124B	GaP/GaP/ Bright Red	700		90	40	15	50	2.2	2.6	2.0			
	BL-B4524B	GaAsP/GaP/ Hi-Eff Red	635		45	80	30	150	2.0	2.6	12.0			
	BL-B2124B	GaP/GaP/ Green	568	Green Diffused	30	80	30	150	2.2	2.6	12.0			
	BL-B3124B	GaAsP/GaP/ Yellow	585	Yellow Diffused	35	80	30	150	2.1	2.6	10.0			
	BL-B2424B	GaP/GaP/ Green	568	Green Trans	30	80	30	150	2.2	2.6	35.0			
	BL-B4624B	GaAsP/GaP/ Orange	635	Red Trans	45	80	30	150	2.0	2.6	35.0			40
0.5" Lead 5.0 φ	BL-B4524C	GaAsP/GaP/ Hi-Eff Red	635	Red Diffused	45	80	30	150	2.0	2.6	16.0	45	L-044	
	BL-B2124C	GaP/GaP/ Green	568	Green Diffused	30	80	30	150	2.2	2.6	16.0			
	BL-B3124C	GaAsP/GaP/ Yellow	585	Yellow Diffused	35	80	30	150	2.1	2.6	10.0			
	BL-B4124C	GaAsP/GaP/ Orange	635	Orange Diffused	45	80	30	150	2.0	2.6	16.0			
	BL-B2324C	GaP/GaP/ Green	568	Water Clear	30	80	30	150	2.2	2.6	40.0			
	BL-B3324C	GaAsP/GaP/ Yellow	585		35	80	30	150	2.1	2.6	35.0			
	BL-B4324C	GaAsP/GaP/ Orange	635		45	80	30	150	2.0	2.6	40.0			
T1 3/4 Standard 1.0" Lead 5.0 φ	BL-B1134G	GaAsP/GaAs/ Red	655	Red Diffused	40	80	40	200	1.7	2.0	8.0	35	L-045	
	BL-B5134G	GaP/GaP/ Bright Red	700		90	40	15	50	2.2	2.6	12.0			
	BL-B4534G	GaAsP/GaP/ Hi-Eff Red	635		45	80	30	150	2.0	2.6	80.0			
	BL-B2134G	GaP/GaP/ Green	568	Green Diffused	30	80	30	150	2.2	2.6	80.0			
	BL-B3134G	GaAsP/GaP/ Yellow	585	Yellow Diffused	35	80	30	150	2.1	2.6	70.0			
	BL-B4134G	GaAsP/GaP/ Orange	635	Orange Diffused	45	80	30	150	2.0	2.6	80.0			
	BL-B2434G	GaP/GaP/ Green	568	Green Trans	30	80	30	150	2.2	2.6	200.0			15
T1 3/4 Wide Viewing Angle 1.0" Lead 5.0 φ	BL-B4534G-1	GaAsP/GaP/ Hi-Eff Red	635	Red Diffused	45	80	30	150	2.0	2.6	65.0	45	L-046	
	BL-B2134G-1	GaP/GaP/ Green	568	Green Diffused	30	80	30	150	2.2	2.6	65.0			
	BL-B3134G-1	GaAsP/GaP/ Yellow	585	Yellow Diffused	35	80	30	150	2.1	2.6	60.0			
	BL-B4134G-1	GaAsP/GaP/ Orange	635	Orange Diffused	45	80	30	150	2.0	2.6	65.0			
	BL-B3334G-1	GaAsP/GaP/ Yellow	585	Water Clear	35	80	30	150	2.1	2.6	140.0			
	BL-B2334G-1	GaP/GaP/ Green	568		30	80	30	150	2.2	2.6	150.0			
	BL-B4334G-1	GaAsP/GaP/ Orange	635		45	80	30	150	2.0	2.6	150.0			
T-13/4 Flangeless 1.0"Lead 5.0 φ	BL-B1134N	GaAsP/GaAs/ Red	655	Red Diffused	40	80	40	200	1.7	2.0	7.0	40	L-047	
	BL-B5134N	GaP/GaP/ Bright Red	700		90	40	15	50	2.2	2.6	13.0			
	BL-B4534N	GaAsP/GaP/ Hi-Eff Red	635		45	80	30	150	2.0	2.6	80.0			
	BL-B2134N	GaP/GaP/ Green	568		Green Diffused	30	80	30	150	2.2	2.6			80.0
	BL-B3134N	GaAsP/GaP/ Yellow	585		Yellow Diffused	35	80	30	150	2.1	2.6			70.0
T-13/4 Flangeless 1.0"Lead 5.0 φ	BL-B2434N	GaP/GaP/ Green	568	Green Trans	30	80	30	150	2.0	2.6	140.0	20	45	L-048
	BL-B1134N-1	GaAsP/GaAs/ Red	655	Red Diffused	40	80	40	200	1.7	2.0	4.0			
	BL-B5134N-1	GaP/GaP/ Bright Red	700		90	40	15	50	2.2	2.6	9.0			
	BL-B4534N-1	GaAsP/GaP/ Hi-Eff Red	635		45	80	30	150	2.0	2.6	70.0			
BL-B2134N-1	GaP/GaP/ Green	568	Green Diffused	30	80	30	150	2.2	2.6	70.0				

Remark : 1.Hi-Eff Red / High-Efficiency Red.  
 2.Trans / Transparent.  
 3.2θ 1/2 The off-axis angle at which the luminous intensity is half the axial luminous intensity.

L-041 BL-Bxx34M Series	L-042 BL-Bxx34M-1 Series
	
L-043 BL-Bxx24B Series	L-044 BL-Bxx24C Series
	
L-045 BL-Bxx34G Series	L-046 BL-Bxx34G-1 Series
	
L-047 BL-Bxx34N Series	L-048 BL-Bxx34N-1 Series
	

Notes : 1.All Dimensions are in millimeters (inches).  
2.Tolerance is  $\pm 0.25\text{mm}$  (.010").